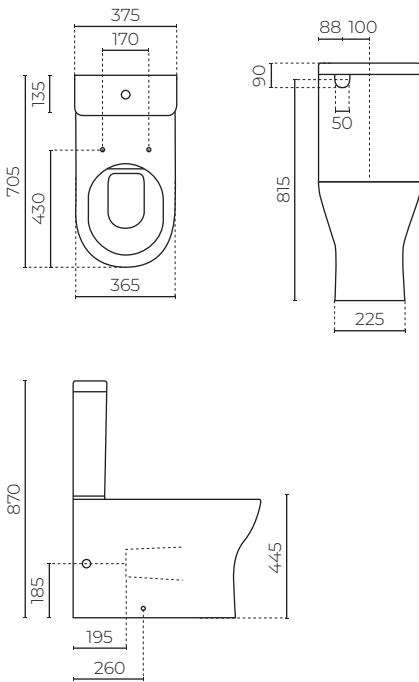


YORK

Care Rimless Back-to-Wall Toilet Suite

LEVYORKCARE



CONSTRUCTION: Vitreous China

WIDTH (MM): 375

DEPTH (MM): 705

HEIGHT (MM): 870

SOFT CLOSE: Yes

RIMLESS: Yes

PAN: Standard Back-to-wall (suitable for P installation)

TRAP / SETOUT (MM): S / 140-220

WELS RATING: 4 star rated

WATER CONSUMPTION (L/FLUSH): 4.5/3

WARRANTY: 10 years on toilet suite, 5 years on inlet and outlet valve, 1 year on non-residential

FEATURES

- Rimless design for easy clean
- Soft close, quick release seat
- Universal pan connector supplied
- WDI valves
- Standard left-hand water back entry (Optional bottom entry if required**)

SPARE PARTS

- LEVYORKCARCIST / Cistern
- LEVYORKCARPAN / Pan
- LEVYORKSEAT / Seat
- THX918 / Pan connector
- LEVB4910T / Flushing valve
- LEV3200 / Back entry inlet valve
- LEVYORCARBUT / Push button set
- LEVB7051 / Cistern bolt set
- LEV30182Y / Gasket | Donut
- LEVB9041 / 15mm cistern plug

FINISHES AVAILABLE:



White