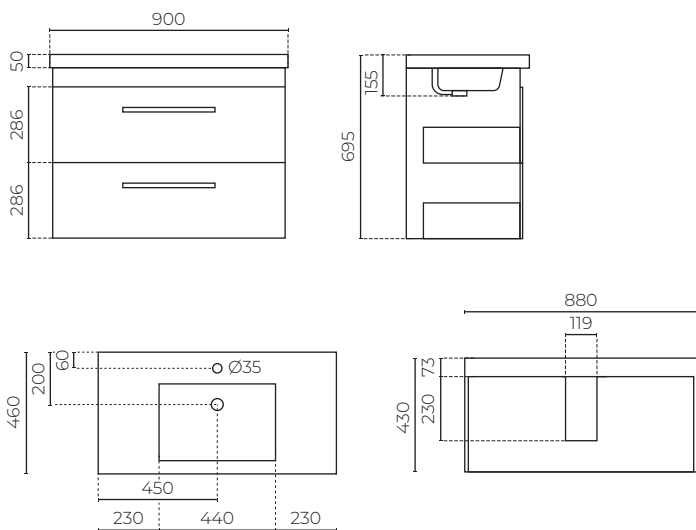


## YORK NEO WALL-HUNG VANITY

900mm

LEVYONEO90WDSWH | LEVYONEO90WDDDEL  
 LEVYONEO90WDSO | LEVYONEO90WDSLO  
 LEVYONEO90WDSWN



**CABINET MATERIAL:** E1 moisture resistant board  
**TOP MATERIAL:** 50mm polymarble  
**INSTALLATION:** Wall-hung  
**WIDTH (MM):** 900  
**DEPTH (MM):** 460  
**HEIGHT (MM):** 695  
**WARRANTY:** 10 years on top, 7 years on cabinet  
**OVERFLOW:** Yes  
**WASTE SIZE (MM):** 35  
**WASTE INCLUDED:** No  
**TAPHOLE:** 1

### FEATURES

- Neo 50mm polymarble top
- Soft close drawers
- 2x full-depth drawers with waste cut out top only
- Full extension heavy-duty runners on drawers
- Black handle and overflow upgrade available at additional cost

### SPARE PARTS

- LEV320HDL\*\* / Handle upgrade (Stainless or Black)
- OFRINGSNMBK / Overflow ring upgrade (Black)
- LEVNEO900 / Top
- LEVYO90WHDDS\*\* / Cabinet

### FINISHES AVAILABLE:

