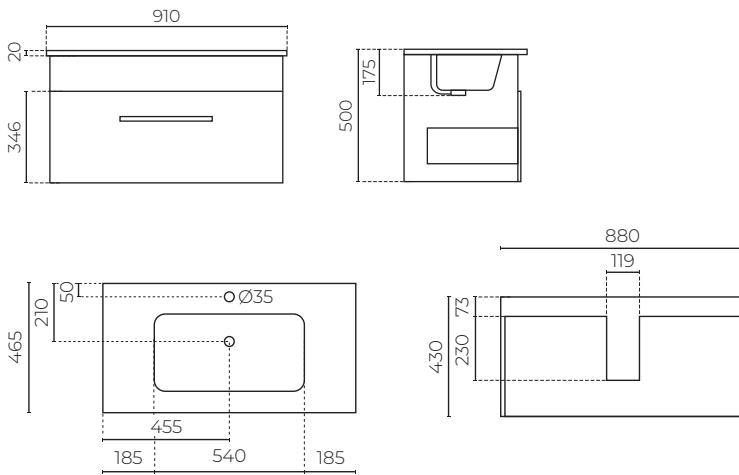


YORK WALL-HUNG VANITY

900mm

LEVYO9SDWVWH | LEVYO9SDWVEL
LEVYO9SDWVDW | LEVYO9SDWVCO



CABINET MATERIAL: E1 moisture resistant board
TOP MATERIAL: 20mm vitreous china
INSTALLATION: Wall-hung
WIDTH (MM): 910
DEPTH (MM): 465
HEIGHT (MM): 500
WARRANTY: 10 years on top, 7 years on cabinet
OVERFLOW: Yes
WASTE SIZE (MM): 35
WASTE INCLUDED: No
TAPHOLE: 1

FEATURES

- Etna 20mm slimline vitreous china top
- Soft close drawer
- 1x full-depth drawer with waste cut out
- Full extension heavy-duty runners on drawer
- Black handle and overflow upgrade available at additional cost

SPARE PARTS

- LEV320HDL** / Handle upgrade (Stainless or Black)
- OFRINGETBK / Overflow ring upgrade (Black)
- LEVETNA90 / Top
- LEVYO90WHSD** / Cabinet

FINISHES AVAILABLE:



White
Code: WH



Elm
Code: EL



Driftwood
Code: DW



Charred Oak
Code: CO