

ASPEN Toilet Roll Holder

LEVP02OGM

Features:

- Modern round design
- Solid construction
- PVD coloured

Specifications:

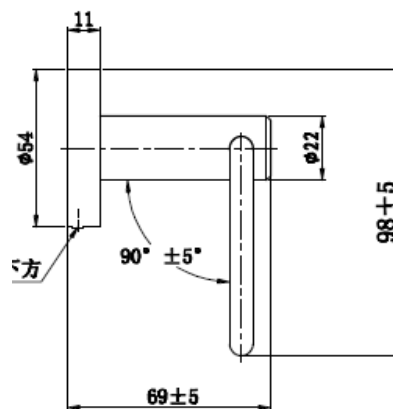
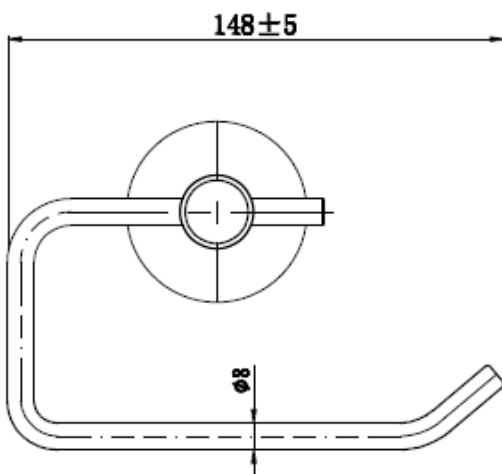
- Polished stainless steel construction

Colour:

- Gunmetal

Warranty:

- 2 year warranty on PVD finish



ACCESSORIES, WASTES AND TAPWARE NOT INCLUDED UNLESS STATED. PLEASE NOTE MEASUREMENTS ARE NOMINAL ONLY. PLEASE MEASURE PRODUCT ON SITE