

## MARBELLA Freestanding Bath

LEVMARB16X8

### Features:

- Twin skin construction
- 30mm top edge construction
- Oval/Round shape
- Fibreglass and board reinforced base
- 4 independent leveling feet
- Centre waste

### Specifications:

- Lucite sanitary grade acrylic
- 250 litre capacity
- Internal depth 425mm

### Colour:

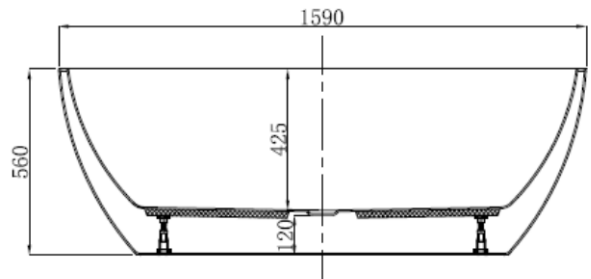
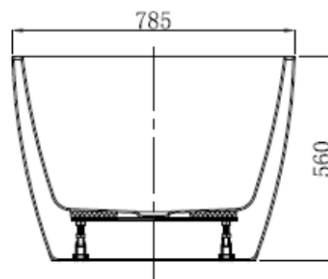
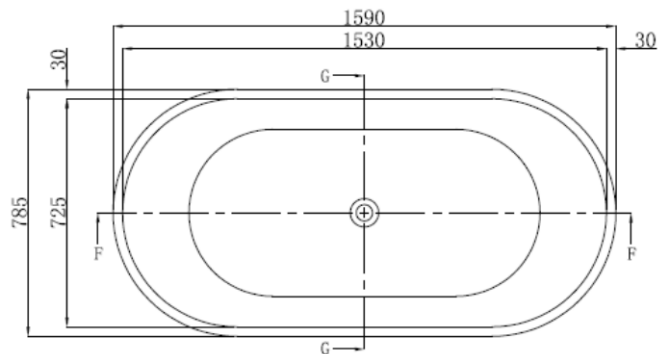
- White

### Size:

- 1590 x 785 x 560mm

### Warranty:

- 10 years



ACCESSORIES, WASTES AND TAPWARE NOT INCLUDED UNLESS STATED. PLEASE NOTE MEASUREMENTS ARE NOMINAL ONLY.  
PLEASE MEASURE PRODUCT ON SITE. ACTUAL COLOURS MAY VARY