

LUCCA 1500 2 SIDED RIGHT HAND Back to Wall Corner Bath

LEVLUC15002SRH

Features:

- Twin skin construction
- Rectangular style with rounded ends
- 2 sided back to wall style
- 120mm wide back platform
- 20mm tile up-stand ideal for in - wall installation
- Fibreglass and board reinforced base
- 4 independent leveling feet
- Corner waste (435 x 280mm from wall)

Specifications:

- Lucite European sanitary grade acrylic
- 256 litre capacity
- Internal depth 450mm

Colour:

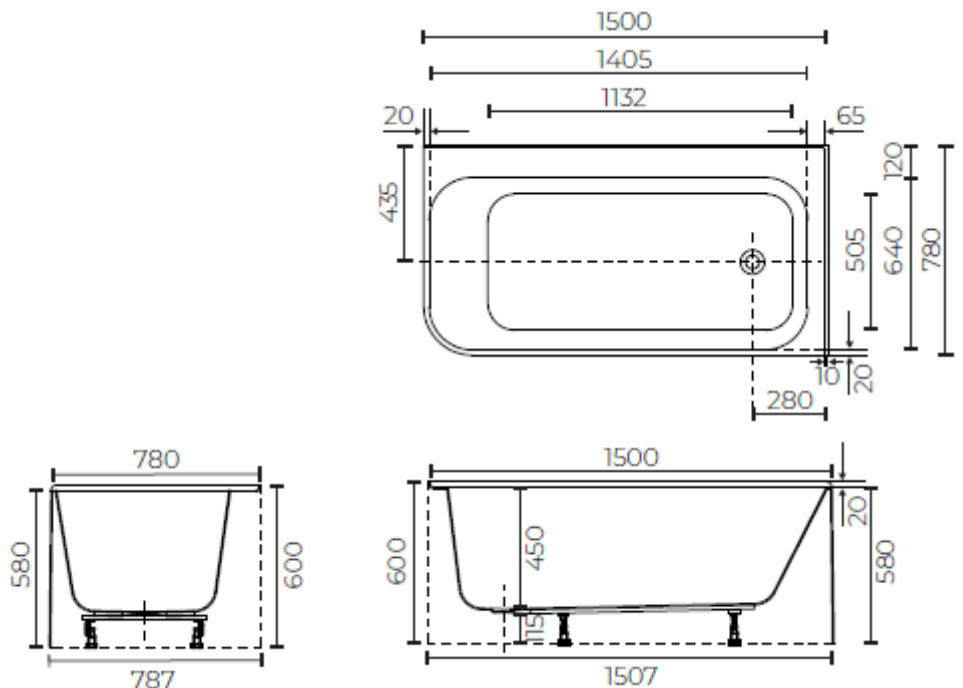
- White

Size:

- 1500 x 780 x 580 x 450mm

Warranty:

- 10 years



ACCESSORIES, WASTES AND TAPWARE NOT INCLUDED UNLESS STATED. PLEASE NOTE MEASUREMENTS ARE NOMINAL ONLY.
PLEASE MEASURE PRODUCT ON SITE. ACTUAL COLOURS MAY VARY