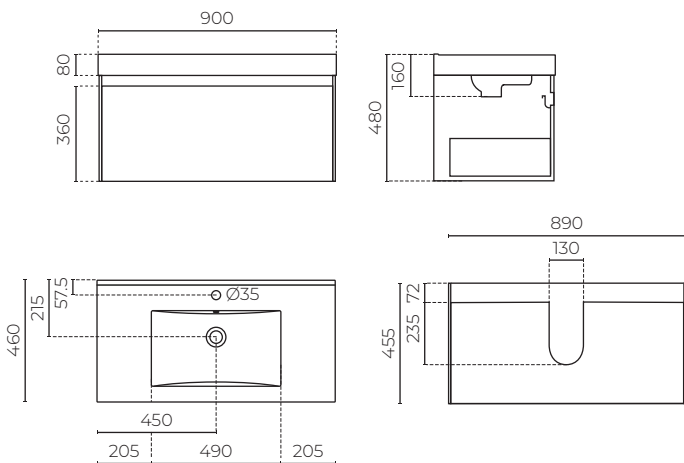


CAPRI WALL-HUNG VANITY

900 Single Bowl

LEVCAP90S



CABINET MATERIAL: E1 moisture resistant board

TOP MATERIAL: 80mm polymarble

INSTALLATION: Wall-hung

WIDTH (MM): 900

DEPTH (MM): 460

HEIGHT (MM): 480

WARRANTY: 7 years on the cabinet & top

OVERFLOW: Yes

WASTE SIZE (MM): 35

WASTE INCLUDED: No

TAPHOLE: 1

DRAWER: 1

FEATURES

- The Capri vanity range is available in many cabinet and drawer colour options.
- Cabinets are handmade in New Zealand from Melamine.
- Soft close drawers.
- Finger pull drawers with aluminium negative detail in four colour options (Satin, White, Black, Brushed Brass).

FINISHES AVAILABLE:

