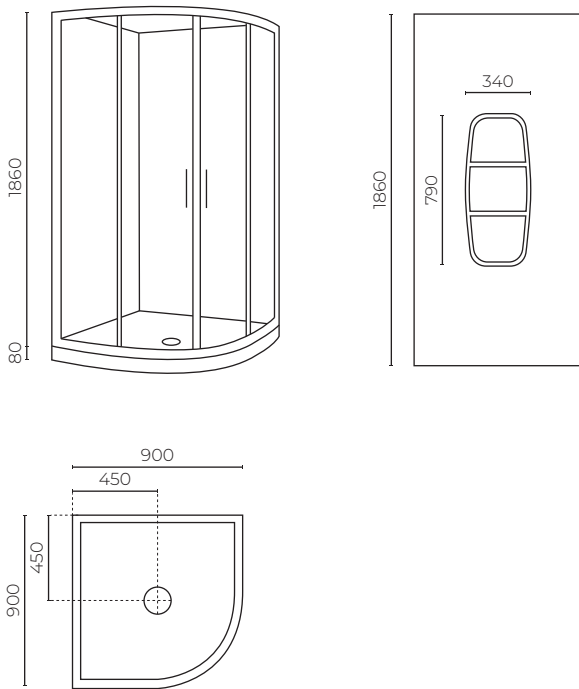


## CABRIS ROUND MOULDED WALL

900mm Shower Enclosure

LEVCA9X2RMWWH | LEVCA9X2RMWPOL



**CONSTRUCTION:** Acrylic

**WIDTH (MM):** 900

**DEPTH (MM):** 900

**HEIGHT (MM):** 1940

**DOOR/S:** 2

**SHAPE:** Round

**TRAY UPSTAND (MM):** 35

**WASTE LOCATION:** Centre

**MOULDED:** Yes

**MOULDING:** Left/right hand

**WARRANTY:** 10 years on Acrylic walls, tray and doors, 2 years on shower seals

### FEATURES

- Twin sliding doors
- Dual quick release rollers
- Extra height (1860mm door)
- Complete with glue, silicone & waste trap
- Magnetic close door
- Safety glass AS/NZS 2208:1996

### SPARE PARTS

- LEVNL2142N9\*\* / Doors
- LEVWL92SMW / Wall
- LEVAUR90 / Tray
- LEVGP2 / Glue pack (for polished)
- LEVGP1 / Glue pack (for white)
- LEVGD6 / Trap with chrome lid

### FINISHES AVAILABLE:



White  
Code: WH



Polished  
Code: POL