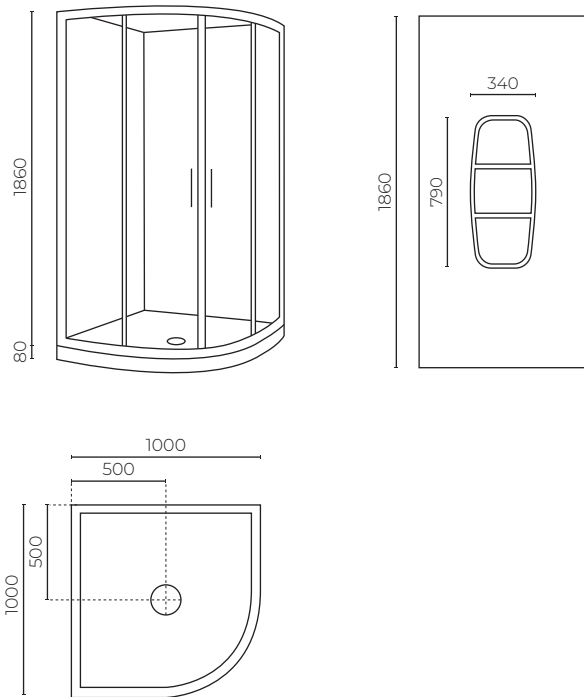


CABRIS ROUND MOULDED WALL

1000mm Shower Enclosure

LEVCA10X2RMWWH | LEVCA10X2RMWPOL



CONSTRUCTION: Acrylic

WIDTH (MM): 1000

DEPTH (MM): 1000

HEIGHT (MM): 1940

DOOR/S: 2

SHAPE: Round

TRAY UPSTAND (MM): 35

WASTE LOCATION: Centre

MOULDED: Yes

MOULDING: Left/right hand

WARRANTY: 10 years on Acrylic walls, tray and doors, 2 years on shower seals

FEATURES

- Twin sliding doors
- Dual quick release rollers
- Extra height (1860mm door)
- Complete with glue, silicone & waste trap
- Magnetic close door
- Nano-coated safety glass/safety glass AS/NZS2208:1996

SPARE PARTS

- LEVNL2142N10** / Doors
- LEVWLI02SMW / Wall
- LEVAUR100 / Tray
- LEVGP2 / Glue pack (for polished)
- LEVGP1 / Glue pack (for white)
- LEVGD6 / Trap with chrome lid

FINISHES AVAILABLE:



White
Code: WH



Polished
Code: POL