

LUISA

Double Towel Rail

LEV7209

Features:

- Modern design
- Solid construction

Specifications:

- Chrome on brass construction

Colour:

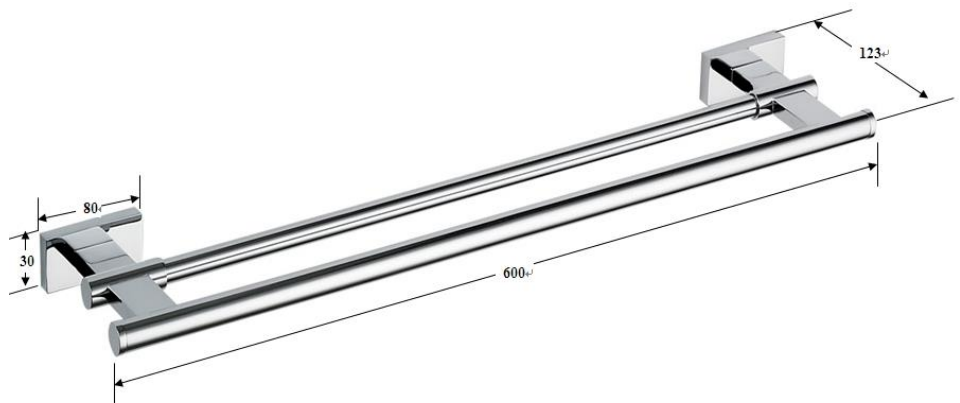
- Chrome

Size:

- 600 x 123mm

Warranty:

- 5 years



ACCESSORIES, WASTES AND TAPWARE NOT INCLUDED UNLESS STATED. PLEASE NOTE MEASUREMENTS ARE NOMINAL ONLY. PLEASE MEASURE PRODUCT ON SITE