

L Shape Grab Rail 600mm

LEV600SHAPEDS

Features:

- Antibacterial, anti-ageing and anti-UV properties
- Strong aluminium core with five reinforcing ribs
- Surface texture to aid grip
- Secure mounting bases
- Concealed fittings

Specifications:

- 32mm diameter

Colour:

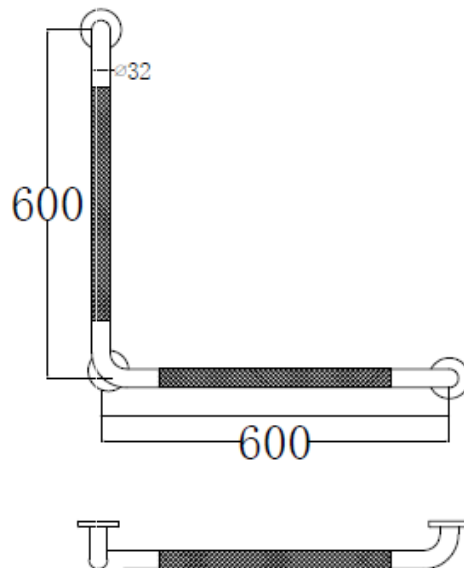
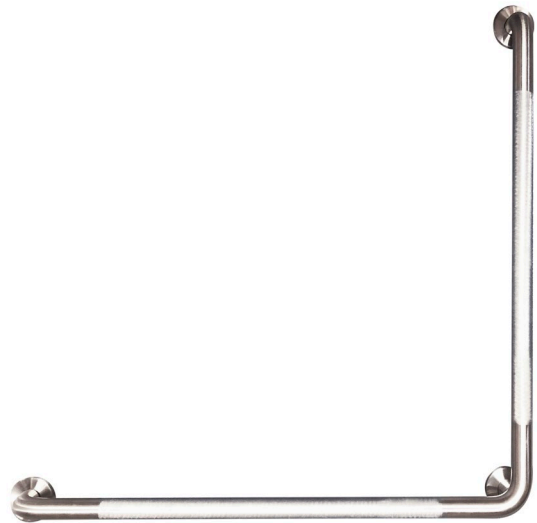
- Stainless Steel

Size:

- 600 x 600mm

Warranty:

- 5 year warranty



ACCESSORIES, WASTES AND TAPWARE NOT INCLUDED UNLESS STATED. PLEASE NOTE MEASUREMENTS ARE NOMINAL ONLY. PLEASE MEASURE PRODUCT ON SITE