

LAUNDRY STATION

1300mm Right Hand Sink 4
Drawers Charcoal Top

LEV13RDRDRCCCEL | LEV13RDRDRCCMW

Features:

- 100% water proof cabinet
- Engineered stone top with rebated under-mount sink
- Pre-drilled taphole
- Sink size 500x400x210
- Includes 3-way valves & pipe work for washing machine
- Available in two top colours and two cabinet colours
- No. of Drawers: 4

Size (width x depth x height):

- 1300 x 600 x 905mm

Warranty:

- 5 years

Available Cabinet Colours:

- Elm Woodgrain or Matt White



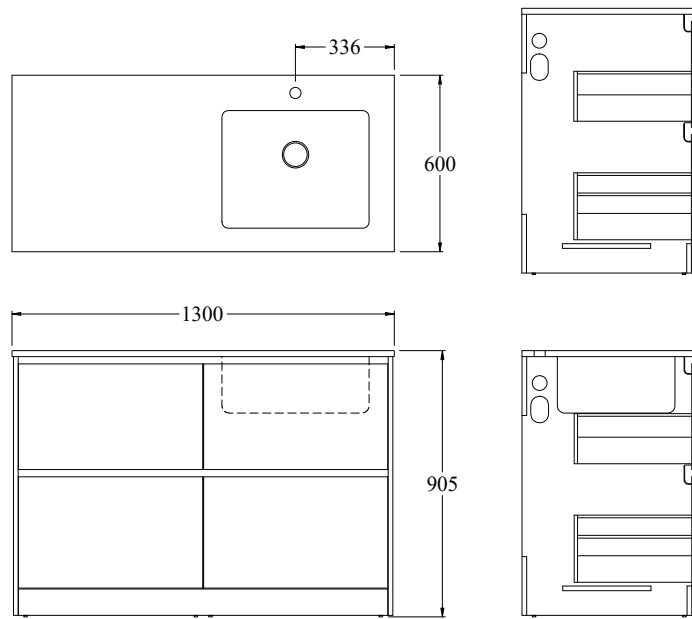
LEV13RDRDRCCCEL (Elm Woodgrain Cabinet)



LEV13RDRDRCCMW (Matt White Cabinet)

Tapware, appliances, accessories and wastes not included, unless otherwise stated.
Please note measurements are nominal only, please measure product on site. Actual colours may vary.

Line Drawings



LEV13RDRDRCCCEL | LEV13RDRDRCCMW