

LAUNDRY STATION

1300mm Right Hand Drawers

Charcoal Top

LEVI3RDRCCCEL | LEVI3RDRCCMW

Features:

- 100% water proof cabinet
- Engineered stone top with rebated under-mount sink
- Pre-drilled taphole
- Sink size 500x400x210
- Includes 3-way valves & pipe work for washing machine
- Available in two top colours and two cabinet colours
- No. of Drawers: 2

Size (width x depth x height):

- 1300 x 600 x 905mm

Warranty:

- 5 years

Available Cabinet Colours:

- Elm Woodgrain or Matt White



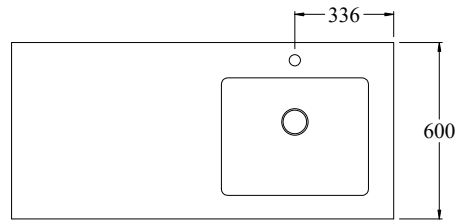
LEVI3RDRCCCEL (Elm Woodgrain Cabinet)



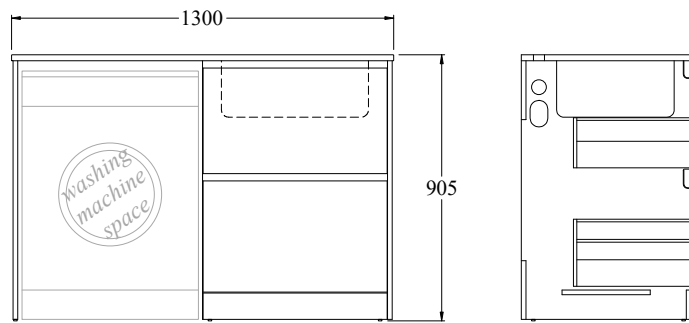
LEVI3RDRCCMW (Matt White Cabinet)

Tapware, appliances, accessories and wastes not included, unless otherwise stated.
Please note measurements are nominal only, please measure product on site. Actual colours may vary.

Line Drawings



For product code :-
1) LEV13RDRWHEL
2) LEV13RDRWHMW
3) LEV13RDRCCCEL
4) LEV13RDRCCMW



LEV13RDRCCCEL | LEV13RDRCCMW