

## LAUNDRY STATION

1300mm Right Hand Door Left-Hand Drawers White Top

LEV13RDODRWHEL | LEV13RDODRWHMW

### Features:

- 100% water proof cabinet
- Engineered stone top with rebated under-mount sink
- Pre-drilled taphole
- Sink size 500x400
- Includes 3-way valves & pipe work for washing machine
- Available in two top colours and two cabinet colours
- No. of Doors: 1
- No. of Drawers: 2

### Size (width x depth x height):

- 1300 x 600 x 905mm

### Warranty:

- 5 years

### Available Cabinet Colours:

- Elm Woodgrain or Matt White



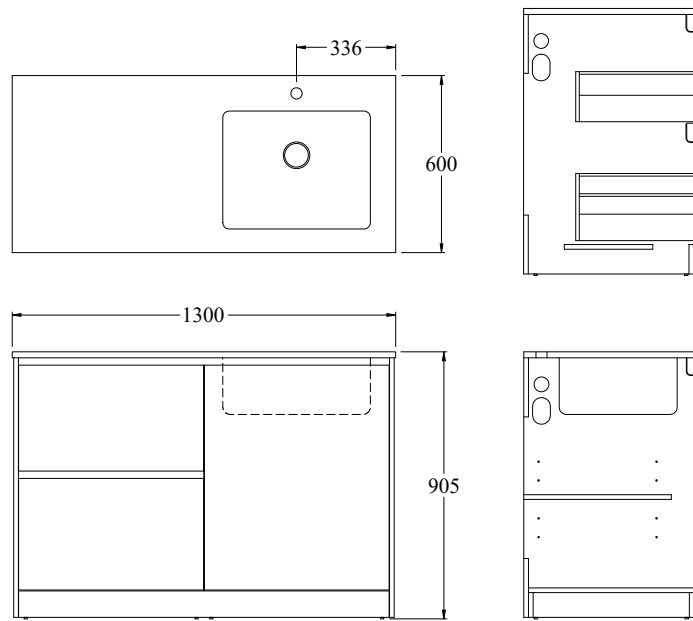
LEV13RDODRWHEL (Elm Woodgrain Cabinet)



LEV13RDODRWHMW (Matt White Cabinet)

Tapware, appliances, accessories and wastes not included, unless otherwise stated.  
Please note measurements are nominal only, please measure product on site. Actual colours may vary.

## Line Drawings



LEV13RDODRWHEL | LEV13RDODRWHMW