

## 1200 x 900 2-Sided Moulded Wall Shower Enclosure

CR: LEV11840.02 – Right (pictured) | LEV11838.02 – Left

BK: LEV11840.13 – Right | LEV11838.13 – Left

### Features:

- Right or Left models available
- Sliding door on stainless steel runners
- Nano shield glass protection
- 6mm glass door & return
- Patented frame adjustment
- Commercially rated tray – 200kg
- 40mm shower tray upstand
- Square waste included – with 3 color options: Chrome, Black & White
- Door handle - 2 color options included: chrome or black
- Complete with glue & silicone

### Specifications:

- 1200 x 900 x 2015mm
- European Sanitary grade acrylic liner
- Overall height 2015mm
- Safety glass AS NZS 2208
- Tray height 65mm

### Colour:

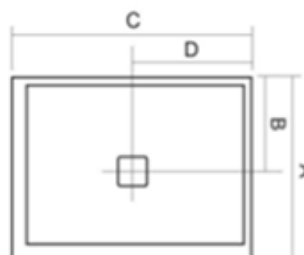
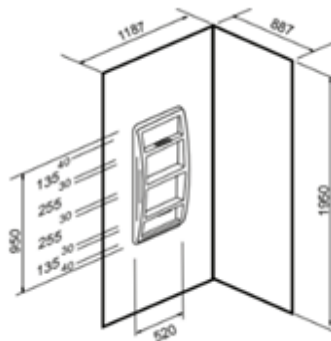
- Brushed chrome or black frame
- Clear glass

### Size:

- 1200 X 900 X 2015mm

### Warranty:

- 10 years



A: 9  
B: 4  
C: 1  
D: 6  
E: 2

ACCESSORIES, WASTES AND TAPWARE NOT INCLUDED UNLESS STATED. PLEASE NOTE MEASUREMENTS ARE NOMINAL ONLY. PLEASE MEASURE PRODUCT ON SITE