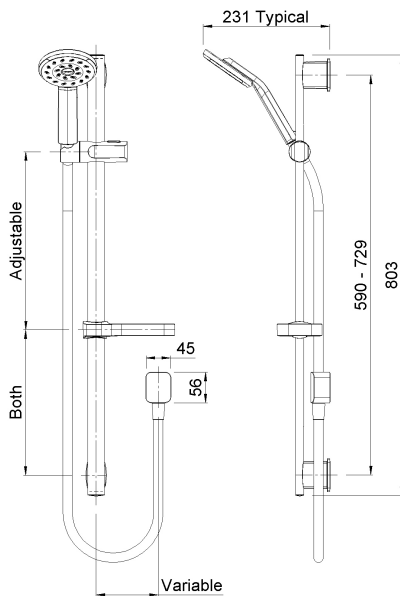


## KEA RA SHOWER



**CLASSIFICATION:** Suitable for mains pressure only

**INLET CONNECTIONS:** 1/2" BSP

**WORKING PRESSURE:** 150 - 500kPa

**OPERATING TEMPERATURE:** 5 °C - 70 °C

**WATER FLOW RATE:** 8.0 l/m

- Wide bore smooth skin hose for easy cleaning.
- 3 star WELS rated on mains pressure drencher (8l/pm)
- 3 star WELS rated on mains pressure handset (7.5 l/pm)
- Satinjet® spray technology
- Built in rotary diverter to switch outlets.

Chrome

exclusive to  
**plumbingworld**

